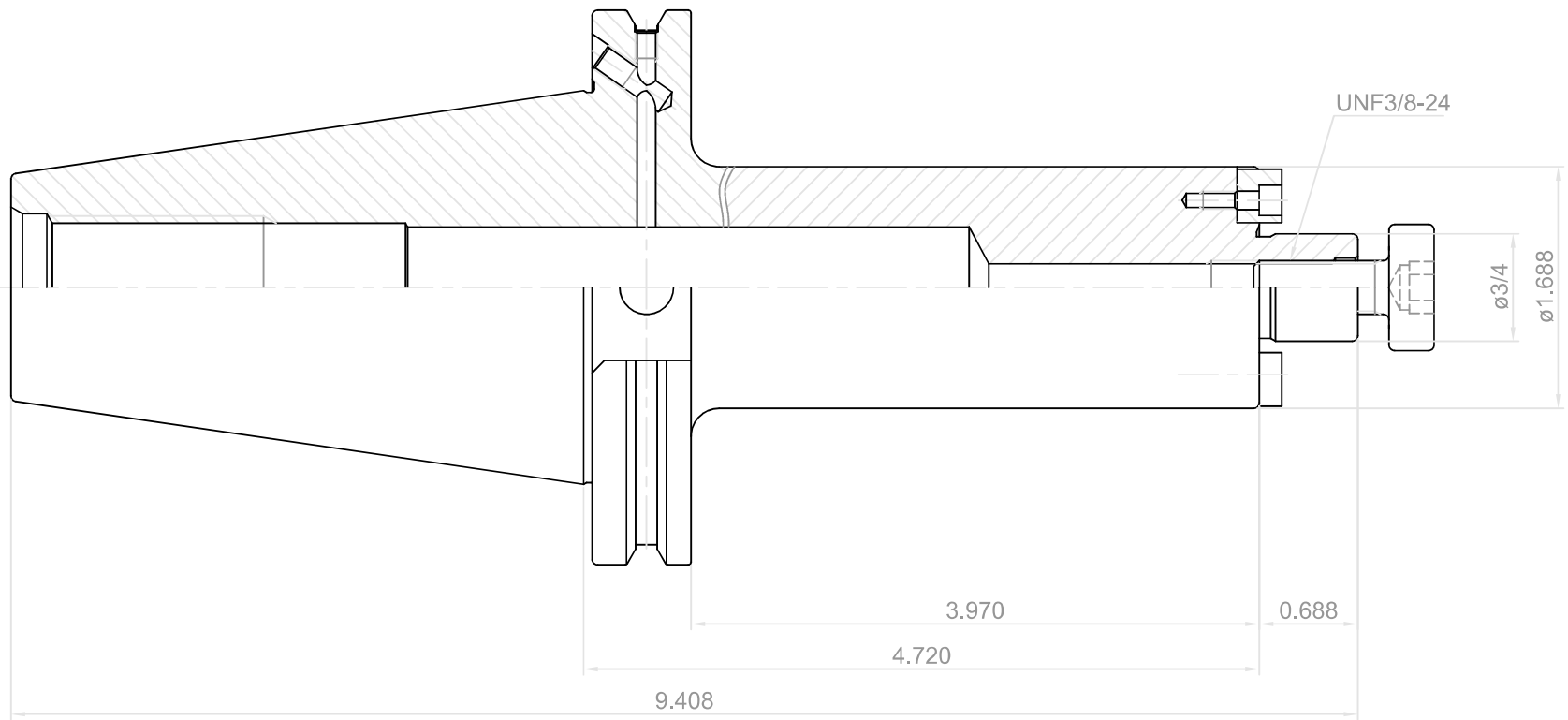



NO.	REVISIONS	DATE	DEVISER
1.			
2.			
3.			



DESCRIPTION	
 YG-1 CO., LTD.	CCT50AD/B-SMA3/4(19.05)-4.72(119.88)
EDP No.	EC026
SCALE	1 : 1