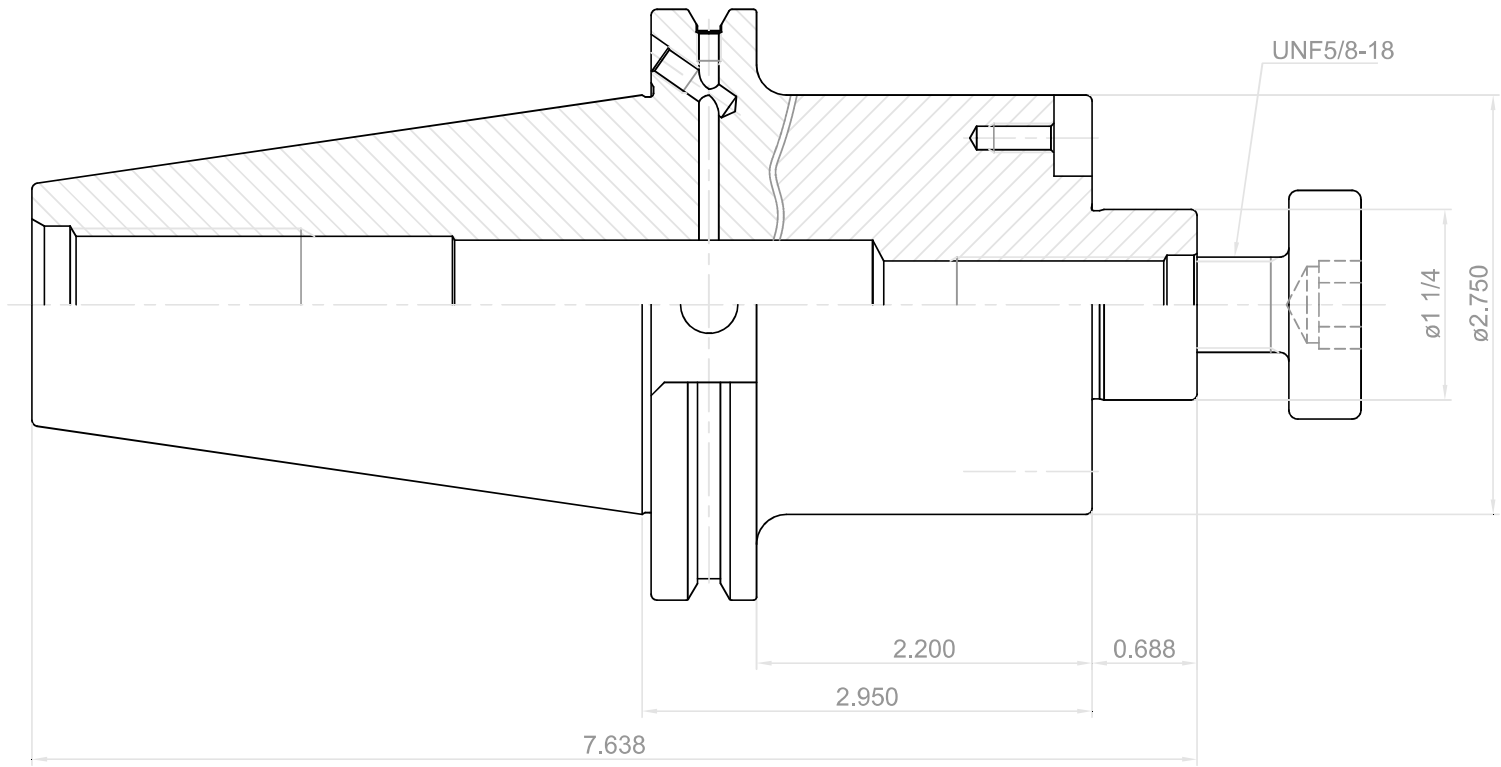


NO.	REVISIONS	DATE	DEVISER
1.			
2.			
3.			



 YG-1 CO., LTD.	DESCRIPTION		
	CCT50AD/B-SMA1 1/4(31.75)-2.95(74.93)		
EDP No.	EC032	SCALE	1 : 1