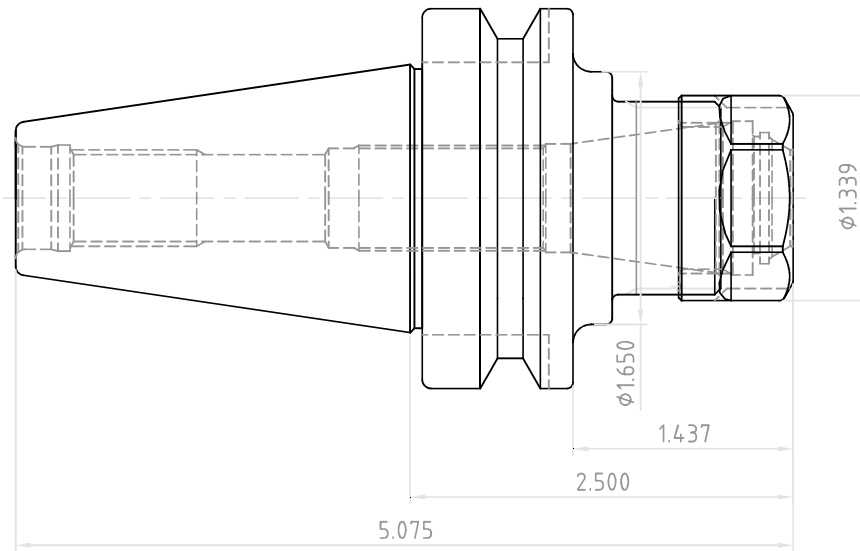



| NO. | REVISIONS | DATE | DEVISER |
|-----|-----------|------|---------|
| 1.  |           |      |         |
| 2.  |           |      |         |
| 3.  |           |      |         |



|  |                      |          |             |
|--|----------------------|----------|-------------|
|  YG-1 CO., LTD. | DESCRIPTION          |          |             |
|  | BT40-ER25-2.50(63.5) |          |             |
|  | EDP No.              | BH233B25 | SCALE 1 : 1 |