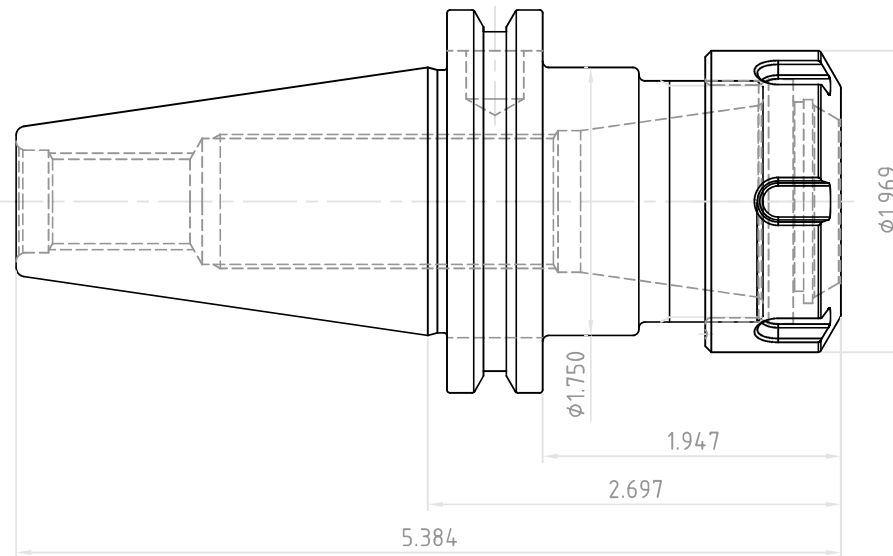



NO.	REVISIONS	DATE	DEVISER
1.			
2.			
3.			



 YG-1 CO., LTD.	DESCRIPTION		
	CAT40-ER32-2.70(68.5)		
	EDP No.	BK234B25	SCALE 1 : 1