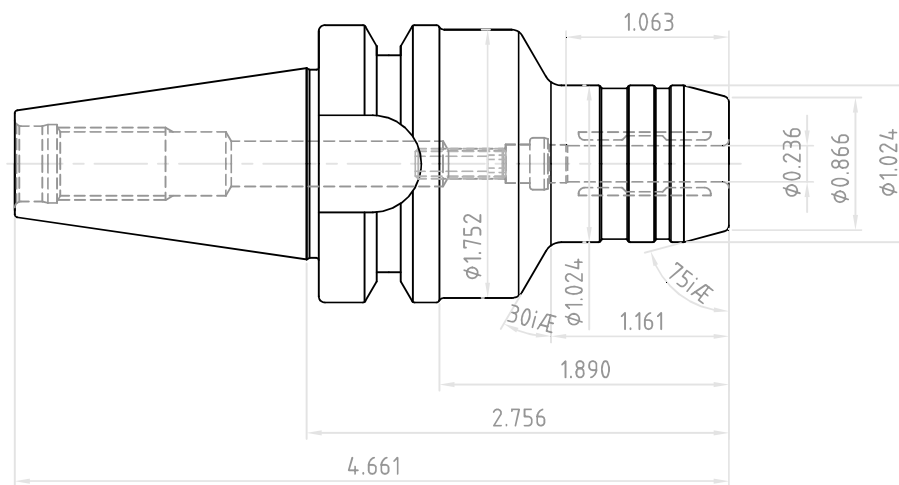



NO.	REVISIONS	DATE	DEVISER
1.			
2.			
3.			



 YG-1 CO., LTD.	DESCRIPTION	
	BT30-HC0.24(6)-2.76(70)	
	EDP No.	WG100
	SCALE	1 : 1