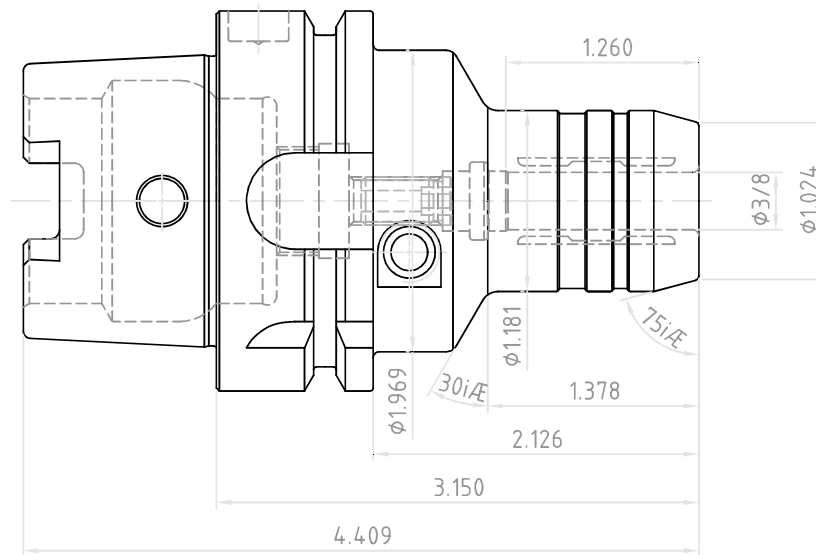



NO.	REVISIONS	DATE	DEVISER
1.			
2.			
3.			



 YG-1 CO., LTD.	DESCRIPTION		
	HSK63A-HC3/8(9.52)-3.15(80)		
	EDP No.	WQ022	SCALE 1 : 1