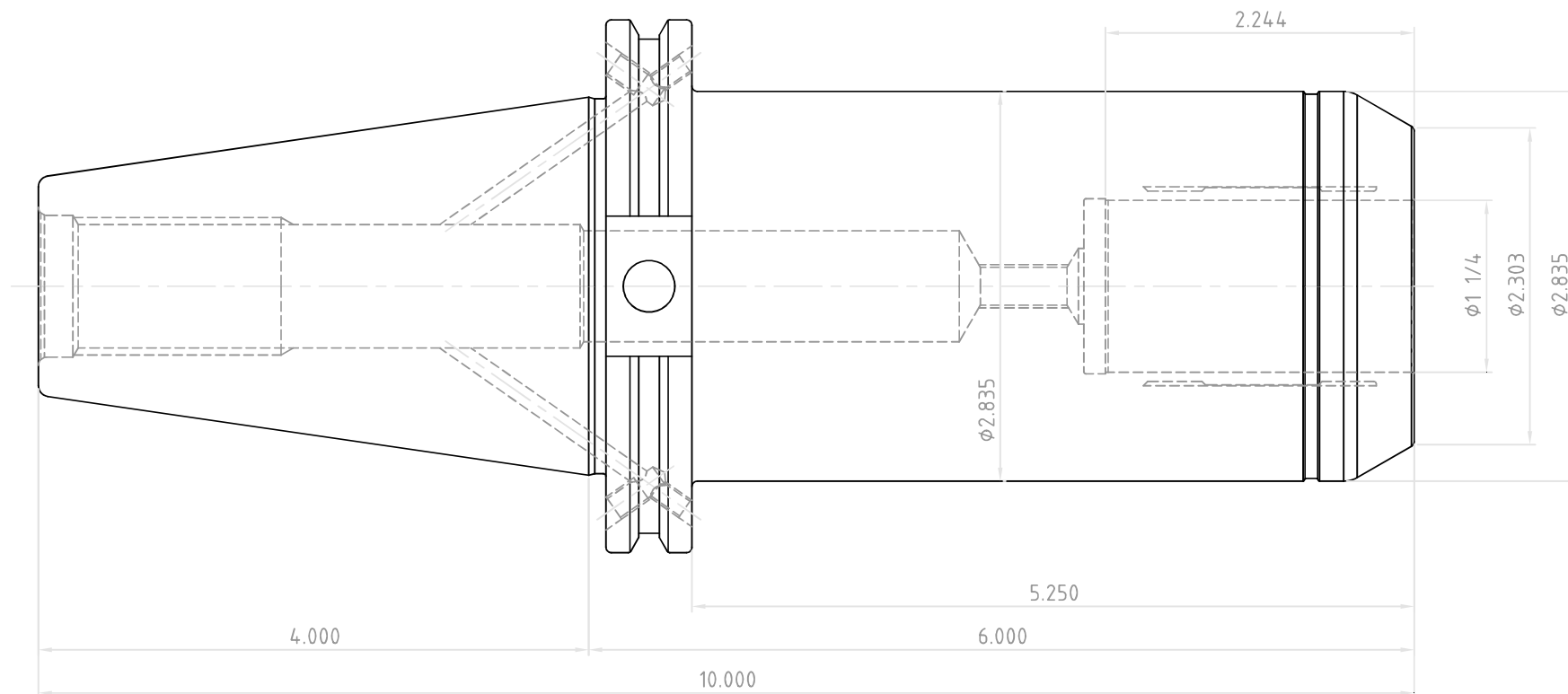



NO.	REVISIONS	DATE	DEVISER
1.			
2.			
3.			



 YG-1 CO., LTD.	DESCRIPTION		
	CAT50AD/B-HC1 1/4(31.75)P-6.000(152.4)		
EDP No.	WL030PE	SCALE	1 : 1