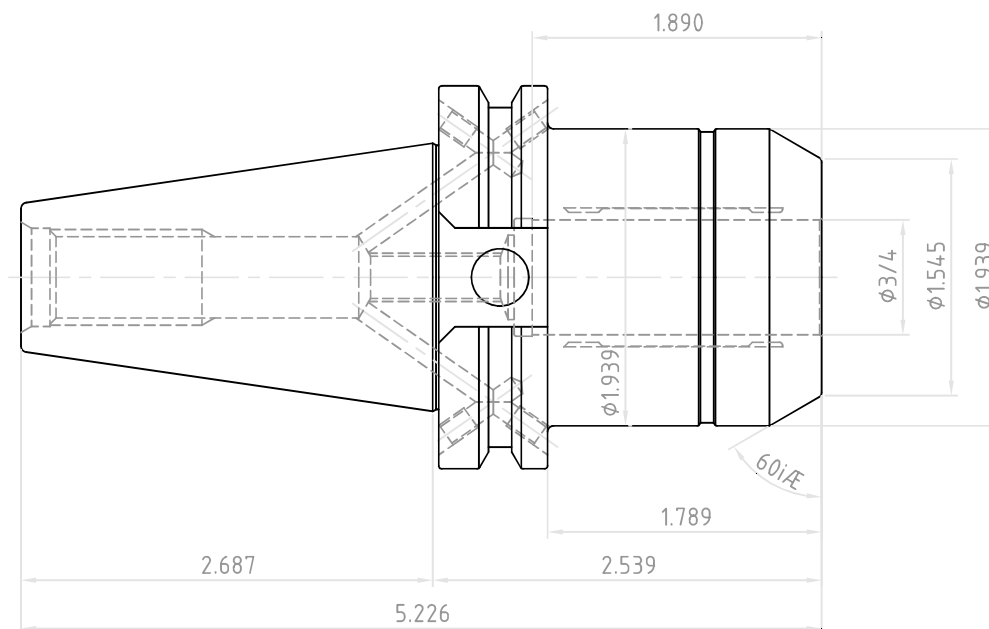



NO.	REVISIONS	DATE	DEVISER
1.			
2.			
3.			



 YG-1 CO., LTD.	DESCRIPTION		
	CCT40AD/B-HC3/4(19.05)P-2.539(64.5)		
	EDP No.	WB030PE	SCALE 1 : 1