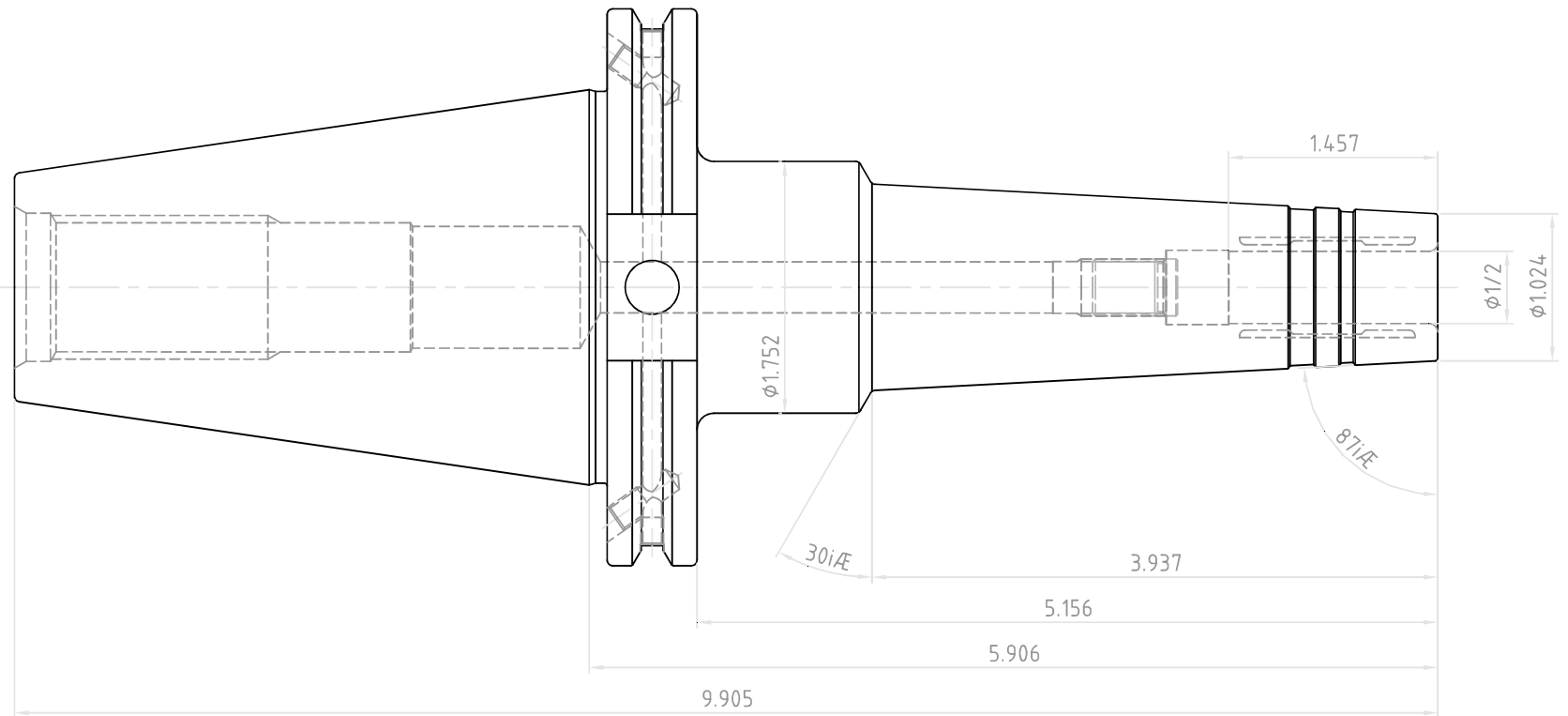



| NO. | REVISIONS | DATE | DEVISER |
|-----|-----------|------|---------|
| 1.  |           |      |         |
| 2.  |           |      |         |
| 3.  |           |      |         |



|  |                                   |          |             |
|--|-----------------------------------|----------|-------------|
|  YG-1 CO., LTD. | DESCRIPTION                       |          |             |
|  | CAT50AD/B-HMC1/2(12.70)-5.91(150) |          |             |
|  | EDP No.                           | WL026HMC | SCALE 1 : 1 |