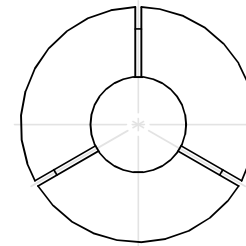
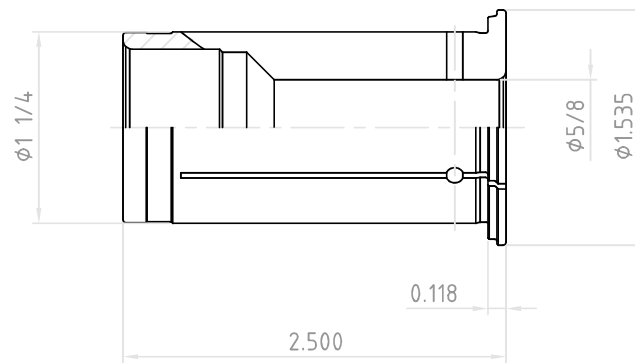



| NO. | REVISIONS | DATE | DEVISER |
|-----|-----------|------|---------|
| 1. | | | |
| 2. | | | |
| 3. | | | |



| | | | |
|---|-----------------------------------|--------|-------------|
|  YG-1 CO., LTD. | DESCRIPTION | | |
| | HK1 1/4(31.75)- ϕ 5/8(15.87) | | |
| | EDP No. | 632508 | SCALE 1 : 1 |